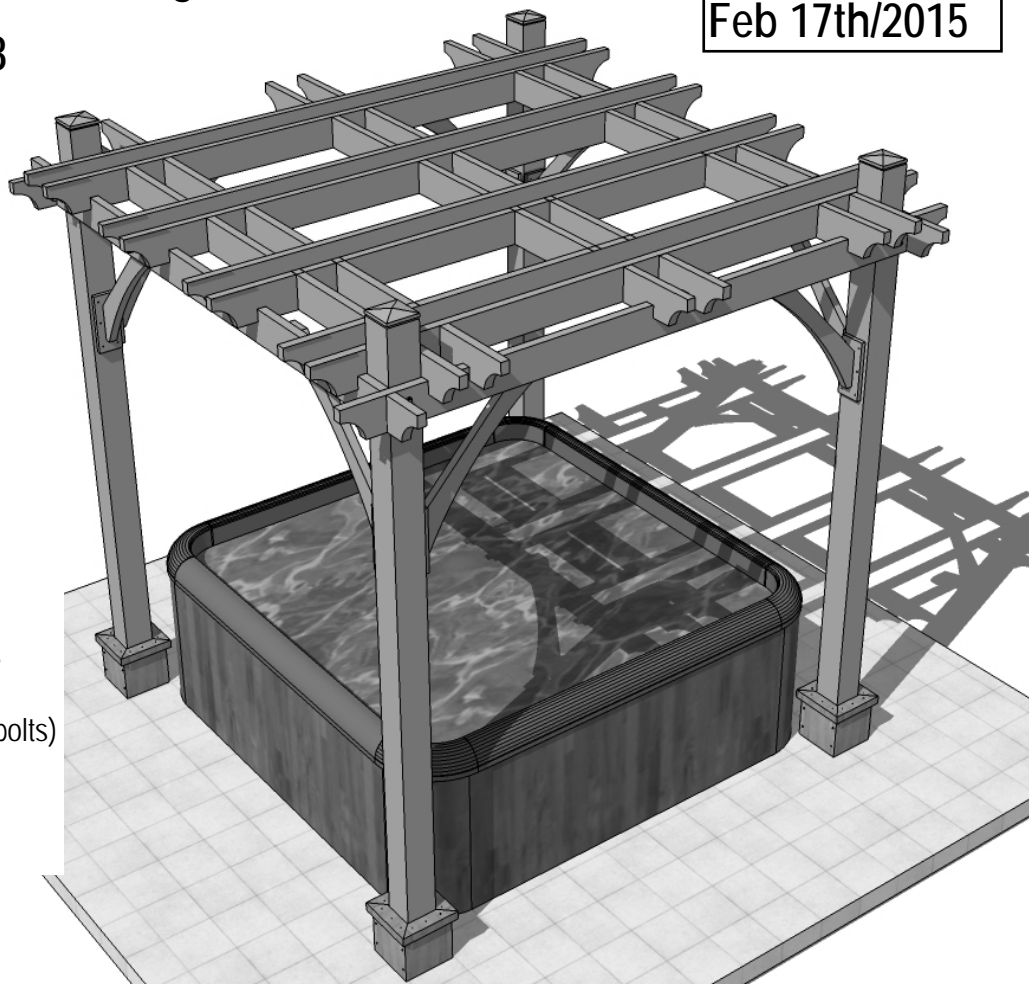


The Spa Breeze is a gorgeous and finely crafted open-air structure for your hot tub.

The Spa Breeze Kit Includes:

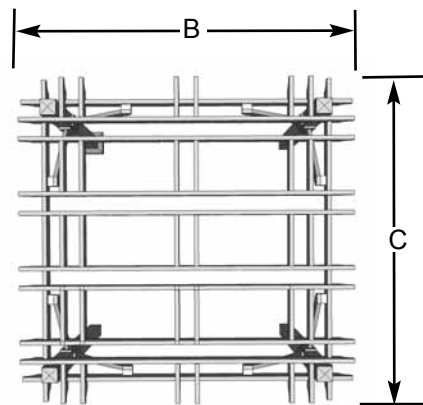
- Notched and Pre-drilled Girders
- Notched and Pre-marked Joists
- 4 - 5 1/2" x 5 1/2" Engineered Cedar Posts
- Western Red Cedar Construction
- Hardware Included (screws, nails and lag bolts)
- Step by Step Detailed Assembly Manual.
- * Post Mounts not included.



Specifications:

Dimensions:

- A: Outside Height = 108"
- B: Total Outside Width = 119"
- C: Total Outside Depth = 119"
- D: Outside Post to Post Width = 101"
- E: Outside Post to Post Depth = 101"
- F: Height to Underside of Girder = 94"



Materials List:

5 1/2" x 5 1/2" Engineered Western Red Cedar Posts
1 1/2"t x 5 1/2"w Architect Knotty Cedar Girders & Joists
(All pieces are surfaced smooth)

*Post Mounts not Included in kit.

Shipping Pkg. Size: 41"w x 142"l x 15"h
Shipping Weight: = 625 lbs

